

LSTP Base

PADS number: 087/007530

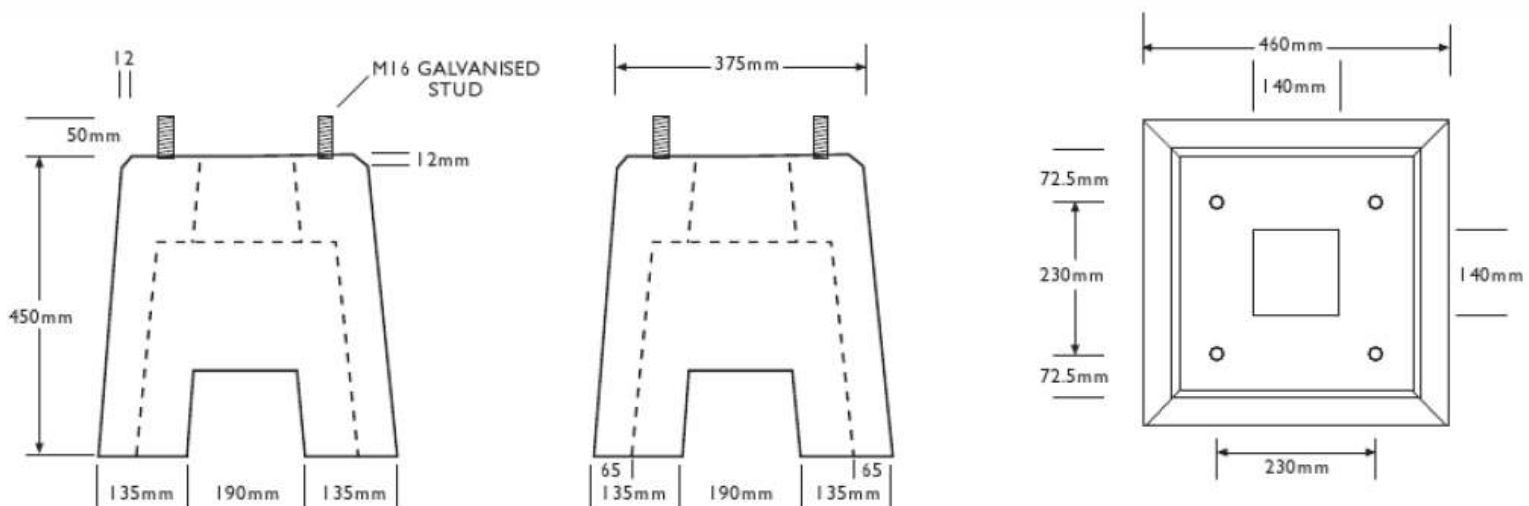
Passcomm Part Number: CAB-BASE-LSTP

The LSTP base is a concrete base for the mounting of trackside enclosures. It is made with M16 galvanized steel studs casted into the concrete and locking nuts threaded onto the studs for easy assembly and installation, Passcomm's BOP enclosures are designed to mount directly onto the LSTP base with no additional parts.



Specification

	Details
Weight	96kg
Tolerances (above drawing)	±6mm
Cable Entry Hole	140mmx140mm
Mounting Stud Separation	230mmx230mm



20069



Certificate No. GB6478

Passcomm Ltd Units 23-25 Tatton Court Kingsland Grange
Warrington, Cheshire, England WA1 4RR